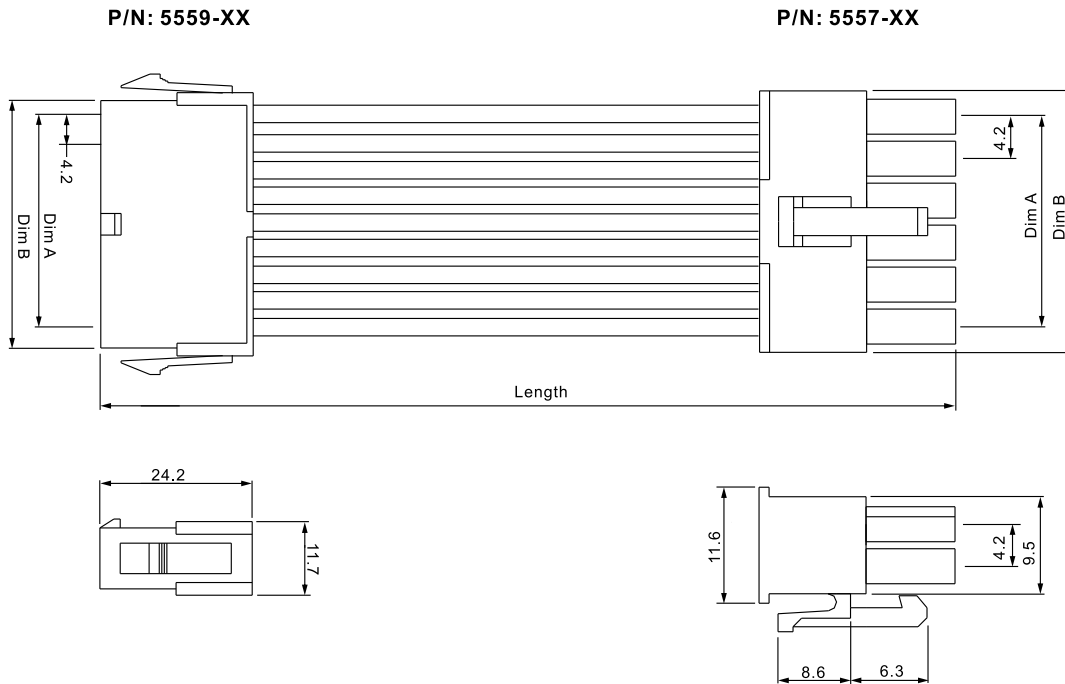


■ **Specifications**

Current rating:9.0A AC/DC
Voltage rating:600V AC/DC
Contact resistance:10m ohm. max.
Insulation resistance:1000M ohm. Min.
Withstanding voltage:1500V AC for one minute
Operating temperature range:-40°C to +105°C

■ **Material and Finish**

Insulator:High Temp. Plastic(UL94V-2)
Contact:Phosphor Bronze
Plating:Tin Plated



■ **Ordering Information**

5559-XX

① ②

① Plug Housing	② No. Of Contacts
----------------	-------------------

5557-XX

① ②

① Receptacle Housing	② No. Of Contacts
----------------------	-------------------

■ **Engineering Dimension**

P/N:5559-XX

Circuits	Dim. A	Dim. B
2	—	5.50
4	4.20	9.70
6	8.40	13.90
8	12.60	18.10
10	16.80	22.30
12	21.00	26.50
14	25.20	30.70
16	29.40	34.90
18	33.60	39.10
20	37.80	43.30
22	42.00	47.50
24	46.20	51.70

P/N:5557-XX

Circuits	Dim. A	Dim. B
2	—	5.40
4	4.20	9.60
6	8.40	13.80
8	12.60	18.00
10	16.80	22.20
12	21.00	26.40
14	25.20	30.60
16	29.40	34.80
18	33.60	39.00
20	37.80	43.20
22	42.00	47.40
24	46.20	51.60