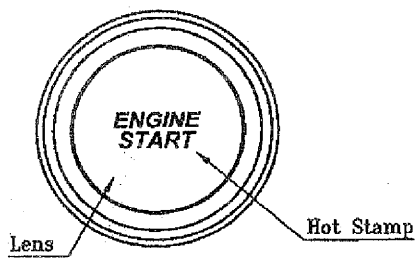
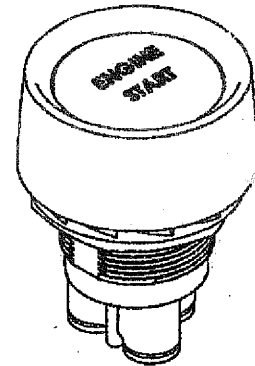
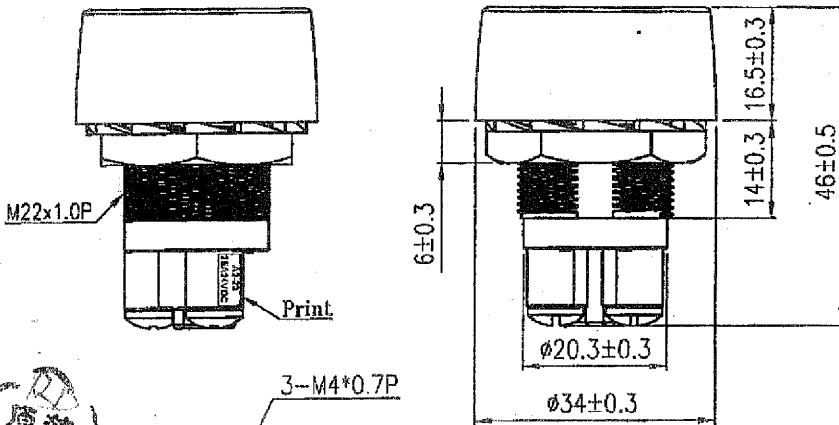


Rating	25A 24VDC				Mounting Hole	Circuit Diagram
Contact Resistance	50m ohm Max.					
Insulation Resistance	DC 500V 100M ohm Min.					
Dielectric Strength	AC 1500V 1 minute					
Operation Temperature	-25°C~85°C					
Circuit	3P SPST (ON)-OFF (LED)				Thickness:9.0mm max.	Thickness:9.0mm max.
LED Color	LED Lens Color	VF	IF	View Angle	Mcd	
Red	White diffuse	2.2V	20mA	100°	120	

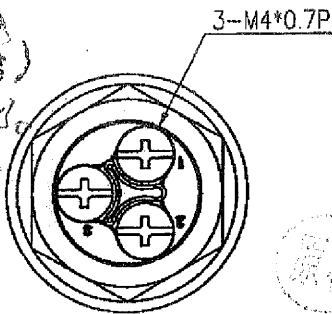


MATERIAL:

Frame: Nylon 66 (94V-2), Black
 Cover: ABS (94HB)
 Terminals: Copper Alloy
 Contacts: Copper Alloy+AgSn02In03
 LED: ø5.0 White diffused
 Actuator: PC (94V-2) ,Red



原稿
20100216-2



Date	Name	Description				NO
Drawing	Check	Approval	SCI No.	1110016	Model Name	PUSH SWITCH
C.J.Chan		<i>[Signature]</i>	Customer No.		Model No.	A2-23B-07
2/22/10		<i>[Signature]</i>	Unit	mm	SHIN CHIN INDUSTRIAL CO., LTD.	