

Rotation Speed and Power Controller

Application:

With a 470k potentiometer (Conrad order no. 445663) you can control the output of consumers.

Typical applications are:

- Ventilators
 - Vacuum cleaners
 - Dimmers
 - Sewing machines
 - Household appliances
- 230V AC +/- 10% 50 Hz

Adjustment range:

0... 100%

Setting:

Through external potentiometer (not part of the delivery)

Current load:

max. current load only with dissipater Rth 1.1K/W
max. Tc = +85°C: 15A
max. load without cooling 200W at Ta = 40°C

Admissible ambient temperature:

0 - +65°C

Function description:

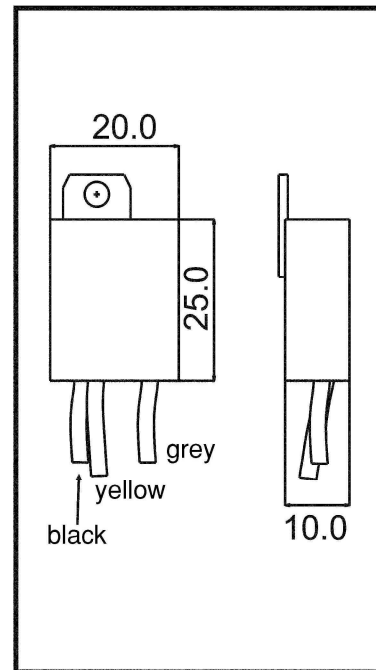
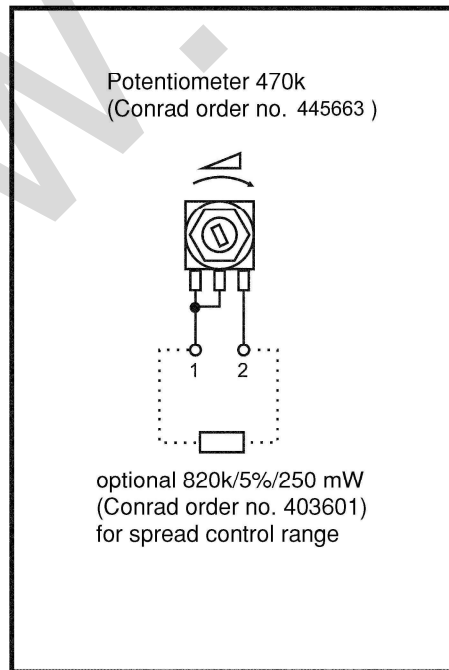
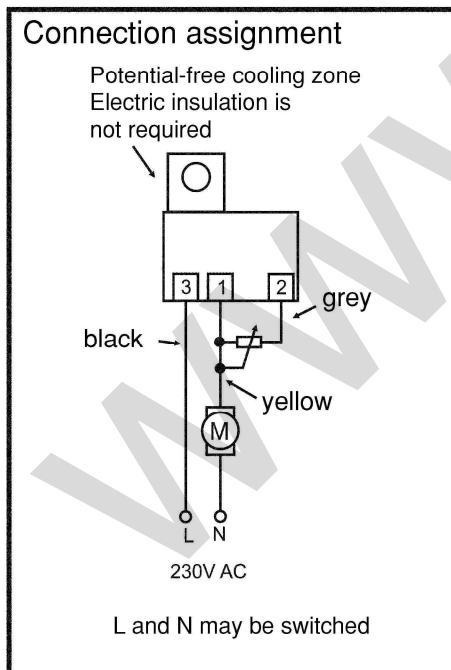
The rotation speed controller works according to the full wave phase angle control

Connection:

3 x insulated Cu strands, length approx. 30 cm

Note:

This rotation speed controller is a "non-CE-checked" component. The utilisation must comply with the CE norms.



Note:

Ta = Ambient temperature

Tc = Casing temperature of the triac (cooling zone)