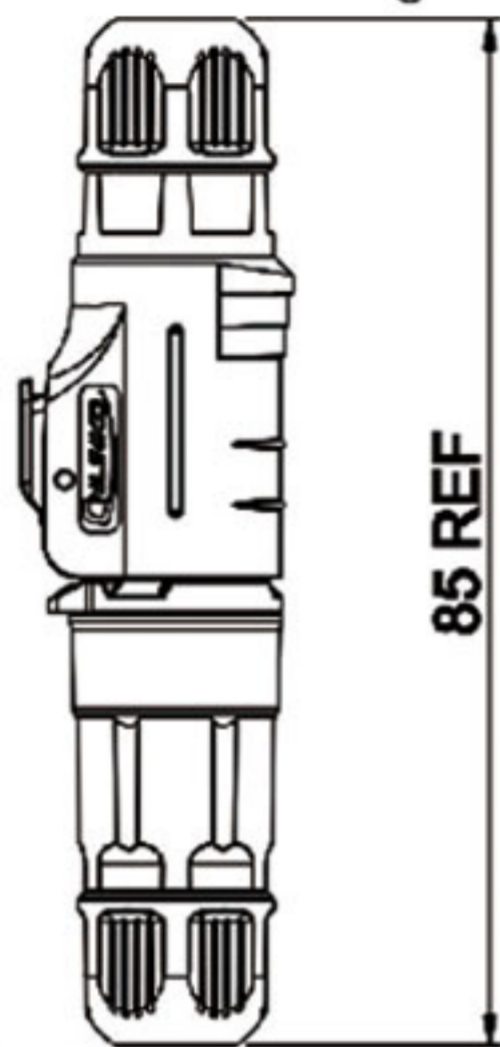


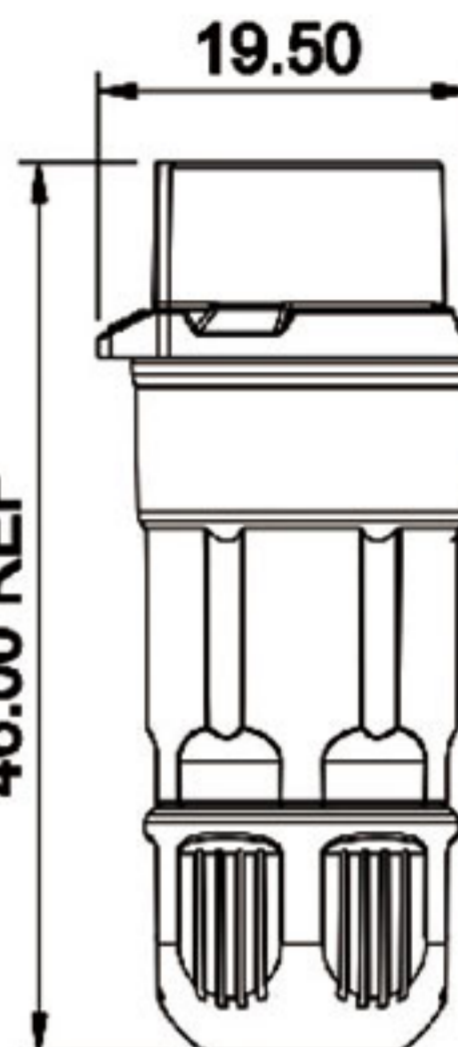
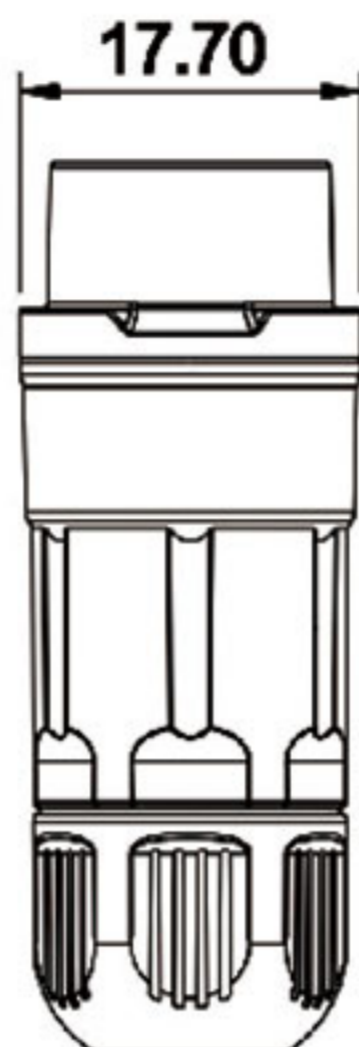
Specifications	
Connecting mode	Latching Lock connect
Protection level	IP67
Cable specification	18AWG
Diameter range	Φ3mm~Φ6mm
Contact diameter×Qty	Φ1.0×3
Current rating(A)	5A
Operating voltage(AC.V.rms)	200V
Withstand voltage(AC.V)1min	1000V
Contact resistance	<10.0mΩ
Insulation resistance	>500MΩ
Durability	≥500 mating&unmating cycles
Temperature rating	-40°C~80°C
Method of connecting cable	Solder
Prevent the combustion level	UL94-V0
Material	
Shell&insulated parts	High performance engineering plastics
Hardware metal	Zinc alloy(pearl hard chromium)
Contact pin	Copper alloy(gold-plated)
Spring	Stainless steel
Sealing	Silica gel
Main characteristics	
Sealed against dust and fluid (IP65/IP67)	
Vibration resistance, impact resistance, stretching resistance	
fast locking connecting; socket with cover	
Application industries	
Stage equipment - The smart grid	
Medical equipment - Server	
Solar energy equipment - Ship equipment	
Electric power equipment - Vehicle equipment	
Communications equipment - Heavy machinery	

Overall dimensions

Dimensions figure



S socket (dimensions figure)



46.00 REF

夹爪紧固式插头 PE(外型尺寸图)
PE clamping cable plug
(dimensions figure)

