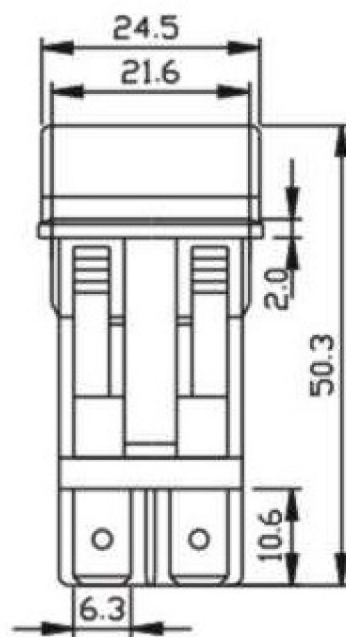
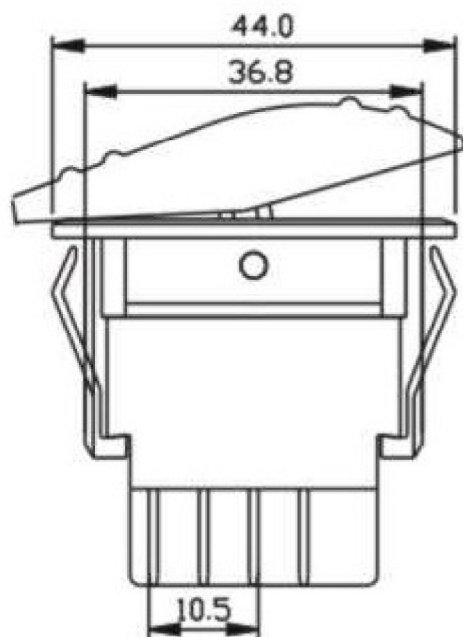
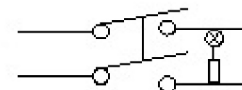


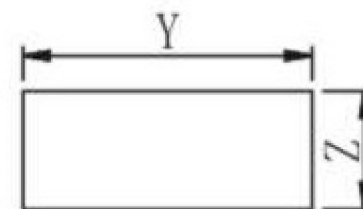


## RK1-06

ContactResistance	20m ,MAX
InsulationResistance	500VDC, 50M
DielectricStrength	1250VAC, 1MIN
OperatingTemperature	T100
ElectricalLife	10,000 Cycles
Operating Data	16A (250VAC, 125VAC, 24VDC, 12VDC)



安装孔尺寸  
Panel cut-out



X	Y	Z
0.75...1.25	36.9 <sup>+0.1</sup>	21.7 <sup>+0.1</sup>
1.25...2.00	37.0 <sup>+0.1</sup>	21.7 <sup>+0.1</sup>
2.00...3.00	37.1 <sup>+0.1</sup>	21.7 <sup>+0.1</sup>

X: 安装面板厚度  
X: Panel Thickness