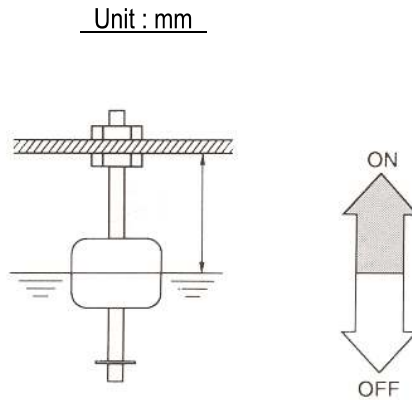
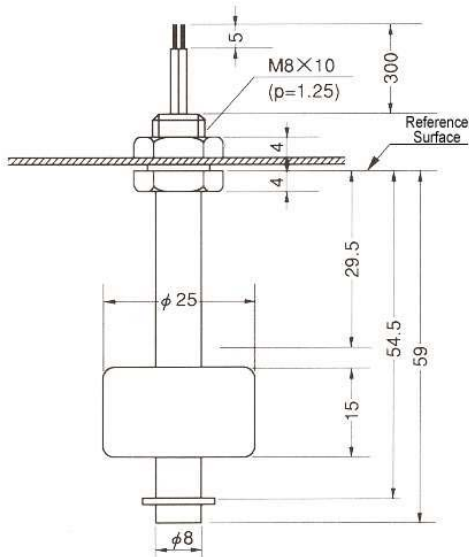


## LEVEL SENSOR SWITCH Item no. 701610

Version 06/14



ON	34.0 min.
OFF	41.0 max.

### Specifications :

Fluid Applicable	kerosene (0.79)	
Material	Case	6 nylon
	Float	NBR (polyform)
Electrical Characteristic	Max. Switching Power	50 W
	Max. Switching Voltage	200 V
	Max. Switching Current	0.6 A
	Contact Withstand Voltage	250 V DC
	Contact Resistance	0.3 $\Omega$ max.
Operating Temperature	-20 to +70°C	

### Distributed by Conrad Electronic SE

This data sheet is a publication by Conrad Electronic SE, Klaus-Conrad-Str. 1, D-92240 Hirschau (www.conrad.com). All rights including translation reserved. Reproduction by any method, e.g. photocopy, microfilming, or the capture in electronic data processing systems require the prior written approval by the editor. Reprinting, also in part, is prohibited. This data represent the technical status at the time of printing. Changes in technology and equipment reserved.