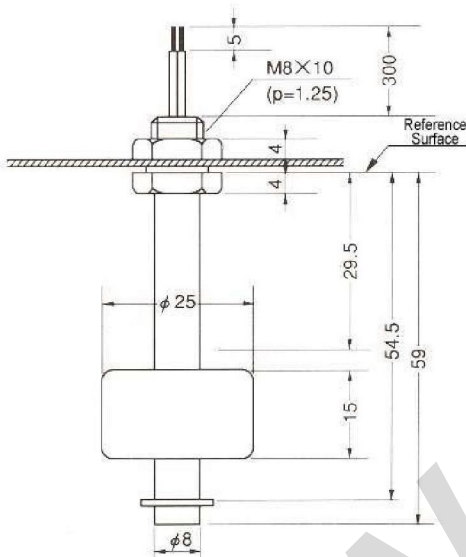
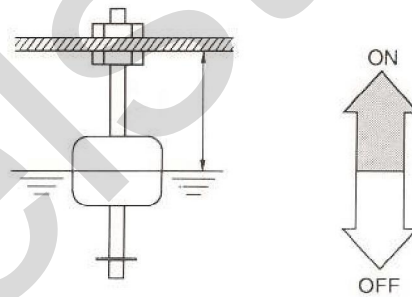


LEVEL SENSOR SWITCH

Version 06/14



Unit : mm



ON	34.0 min.
OFF	41.0 max.

Specifications :

Fluid Applicable	kerosene (0.79)	
Material	Case	6 nylon
	Float	NBR (polyform)
Electrical Characteristic	Max. Switching Power	50 W
	Max. Switching Voltage	200 V
	Max. Switching Current	0.6 A
	Contact Withstand Voltage	250 V DC
	Contact Resistance	0.3 Ω max.
Operating Temperature	-20 to +70°C	