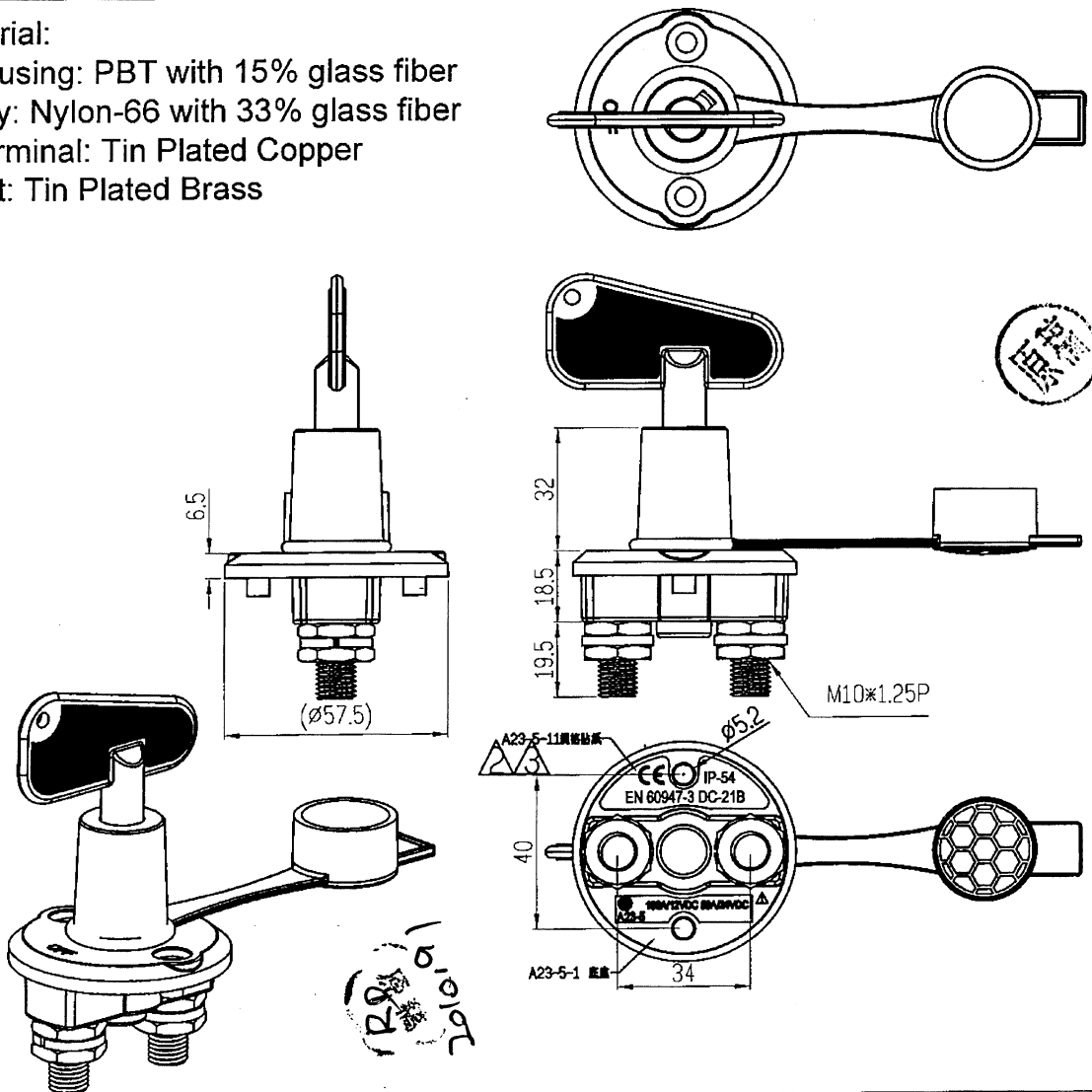


Continuous Rating	100A 12VDC	Circuit Diagram		
	50A 24VDC			
Intermittent Rating	150A 12VDC , 75A 24VDC	Key Out	ON	OFF
Insulation Resistance	DC 1000V 100M ohm Min.			
Dielectric Strength	DC 2000V 1 minute			
	AC 1000V 1 minute			
Operation Temperature	-20°C~85°C			
Switch Function	OFF/ON			

Material:

Housing: PBT with 15% glass fiber
 Key: Nylon-66 with 33% glass fiber
 Terminal: Tin Plated Copper
 Nut: Tin Plated Brass



10/04/'10	方婷鳳	規格標示錯誤							
09/24/'10	方婷鳳	原發行貼紙,文字內容重新編排.							
08/24/'10	方婷鳳	CE認證通過,增加貼紙標示.							
11/13/'08	Rock Hsu	增加規格標示							
Date	Name	Description							NO
Drawn	Checked	Approved	SCI BOM No.	1340009/1340021	Model Name	Battery Switch			
方婷鳳	許廷禎		Customer No.		Model No.	A23-5			REV.
10/04/'10	10/5/'10		Unit	mm					4