

# IP67




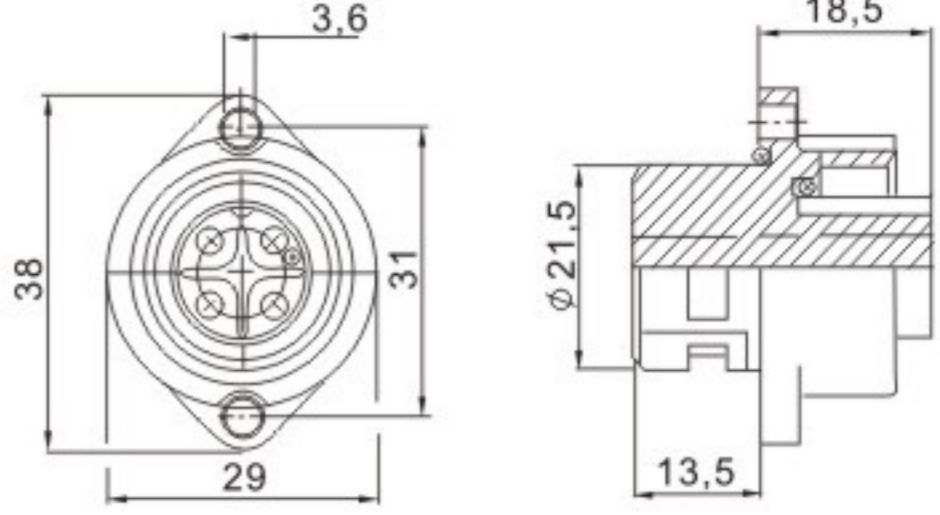

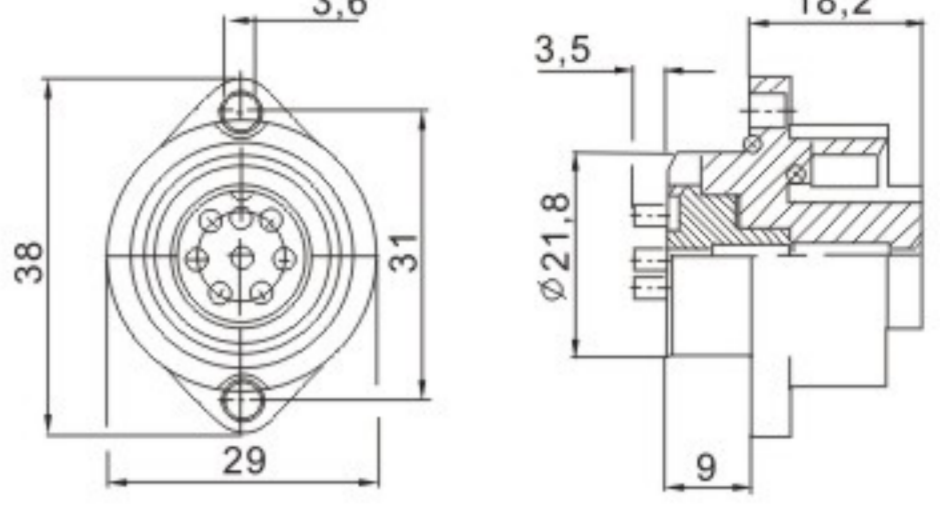

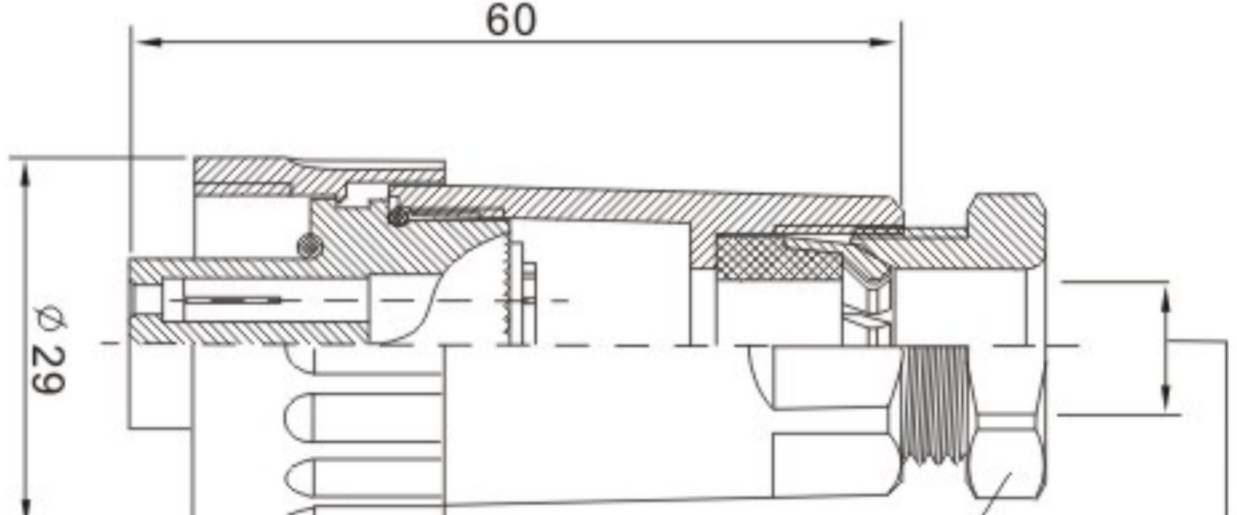



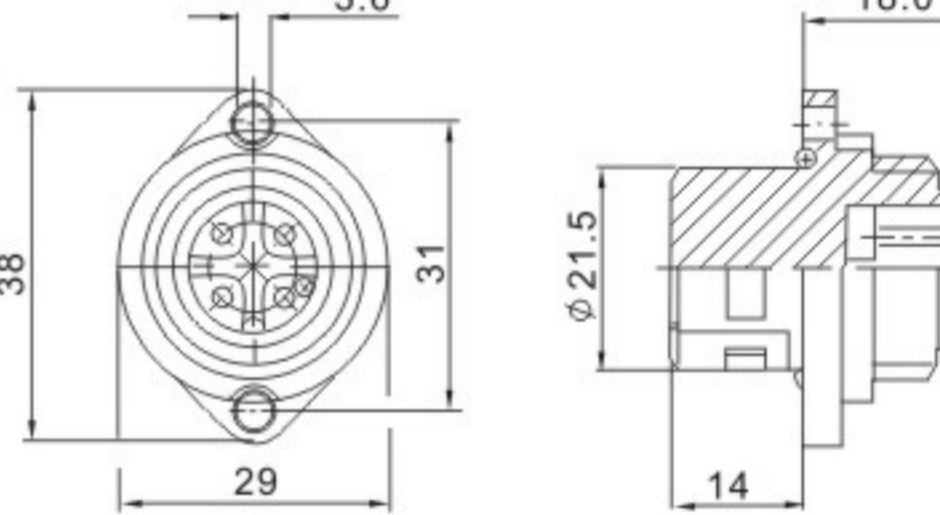

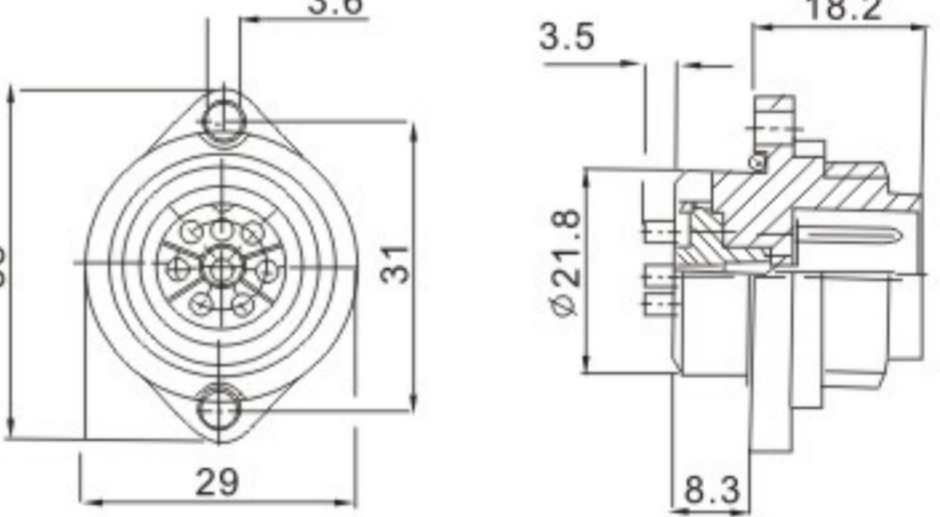

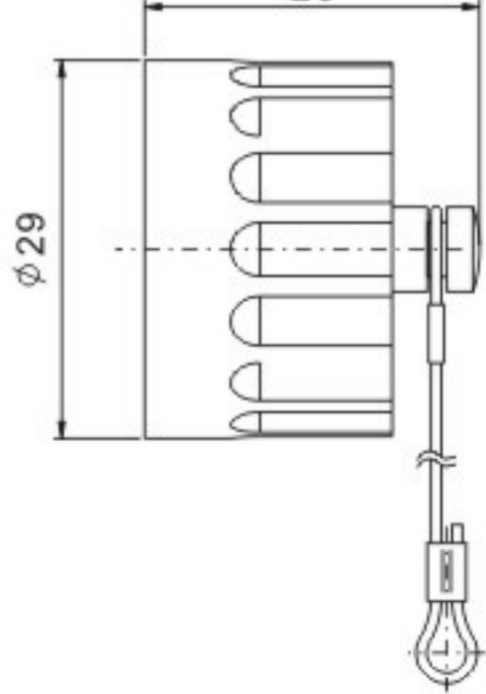

## ● WA22 Series IP67 Material and spec

spec		
Number of contact	3+PE	6+PE
Termination	Screw	Solder
Wire size	Max2. 5mm <sup>2</sup> /AWG14	Max0. 75mm <sup>2</sup> /AWG18
Rated voltage (V)	400V	250V
Rated current(A)	16A	10A
Shell material	Nylon66 , fire resistance : V-0	
Contact material	Brass with gold plating	
Cable outlet diameter	6 , 8, 10mm	
IP rating	IP67	

## ● WA 22

Part number	Description	Drawing
 WA22J4TE2	WA 22 male cable connector 3+PE , screw termination	
 WA22J7TE1	WA 22 male cable connector 6+PE, solder termination	



Part number	Description	Drawing
WA22K4Z2 	WA 22 female panel connector 3+PE, screw termination	
WA22K7Z1 	WA 22 female panel connector 6+PE, solder termination	
WA22K4ZE2 	WA 22 female cable connector 3+PE, screw termination	
WA22K7ZE1 	WA 22 female cable connector 6+PE, solder termination	
WA22J4Z2 	WA 22 male panel connector 3+PE, screw termination	
WA22J7Z1 	WA 22 male panel connector 6+PE, solder termination	
WA22G1 	Cap	
WA22G2 	Cap	