

ASR05

Features

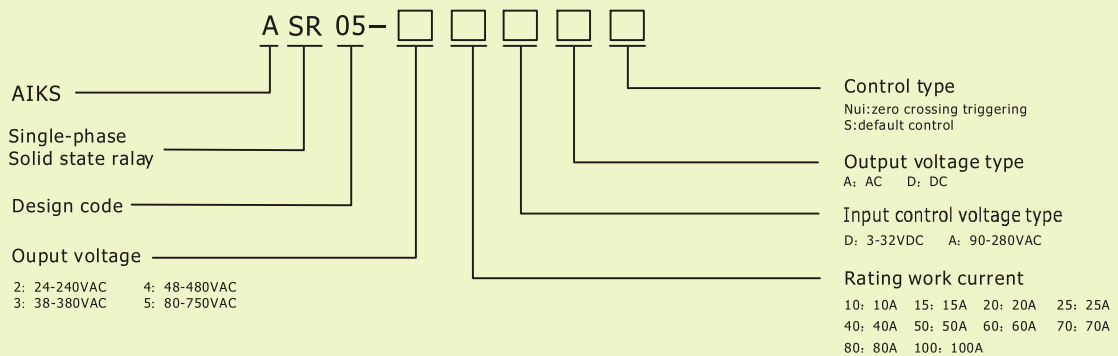
- Max 10-100A switching available
- Two phase AC or DC output, AC or DC input
- Built-in RC resistor, Low on-resistance
- Dielectric strength min: 4000VAC
- Two way to often open
- With LED, confirm the action



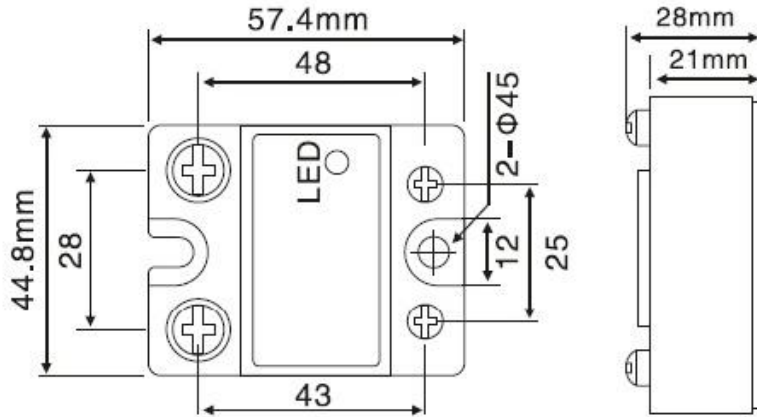
► TECHNICAL PARAMETRIC

Work voltage	DC	3-32VDC	AC	80-280VAC
Breaths condition the control voltage		25mA		12mA
Max Input voltage		3.5VDC		90VDC
Output control voltage		1.5VDC		50VDC
Rating work current	10A, 15A, 25A, 40A, 50A, 60A, 70A, 80A, 100A			
Active status instruction	LED			
Input control voltage	24~480V			
Ambient temperature	-20℃~80℃			
OFF state for leakage current	8mA rms			
On state saturation and vol tagedrop	≤1.5VAC			
MAX voltage	800V			
Inpot/Output	4000V rms			
Control curren	4.5~20mA 2~15mA			
Dielectric Strength	AC2500V 1min			
Approx.	100g			

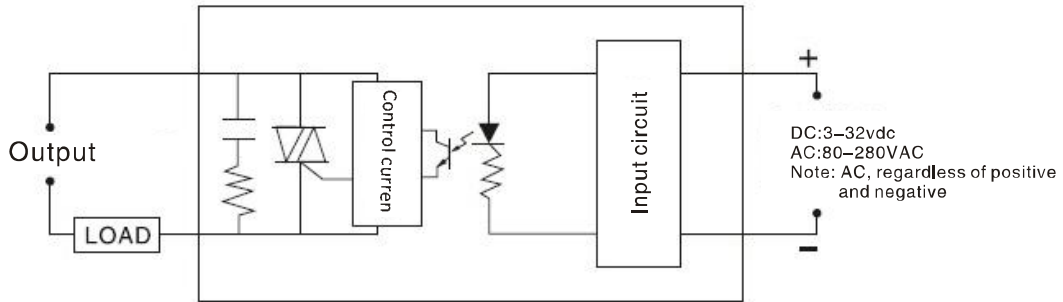
► MODEL DESCRIPTION



▶ **OUTLINE DIMENSION WITH INSTALLATION SIZE** Unit: mm

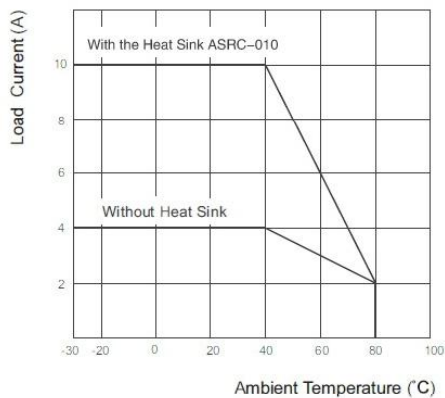


▶ **INTERNAL CIRCUIT CONSTITUTION/WIRING DIAGRAM**

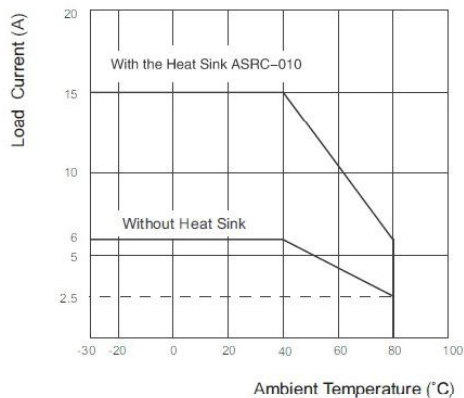


▶ **CHARACTERISTIC CURVES**

Max. Load Current vs. Ambient Temp. (10A)

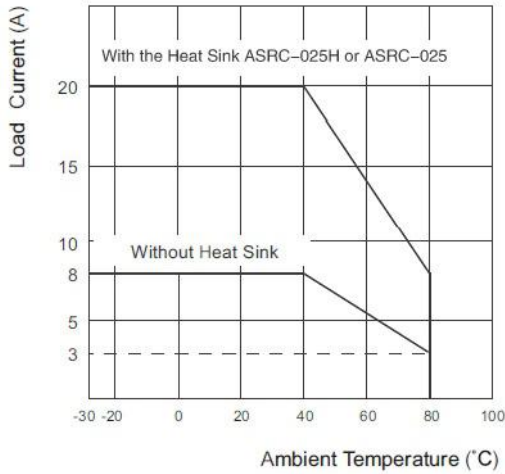


Max. Load Current vs. Ambient Temp. (15A)

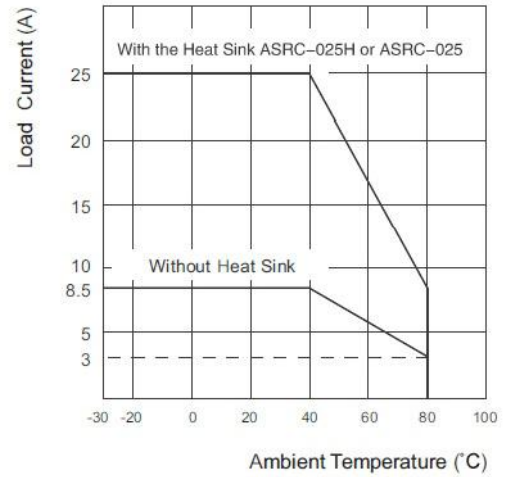


► CHARACTERISTIC CURVES

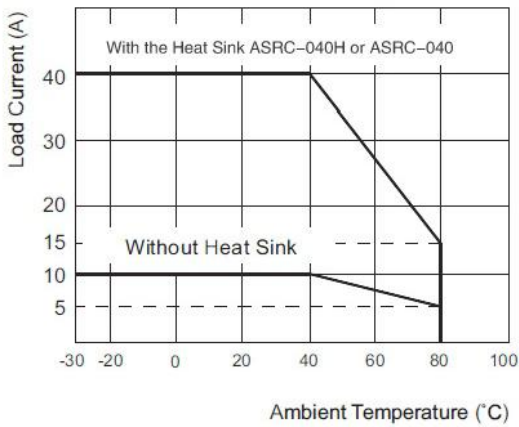
Max. Load Current vs. Ambient Temp. (20A)



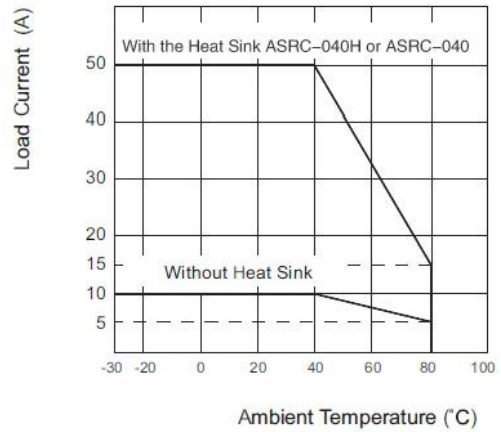
Max. Load Current vs. Ambient Temp. (25A)



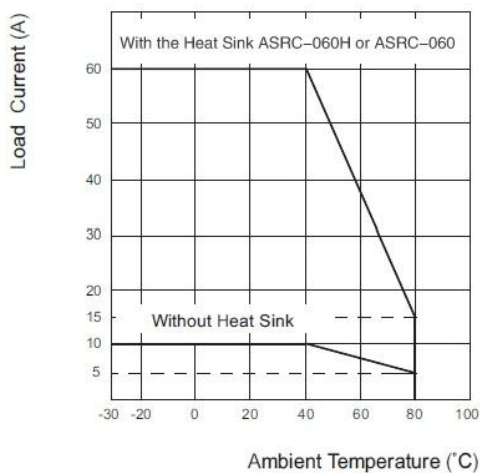
Max. Load Current vs. Ambient Temp. (40A)



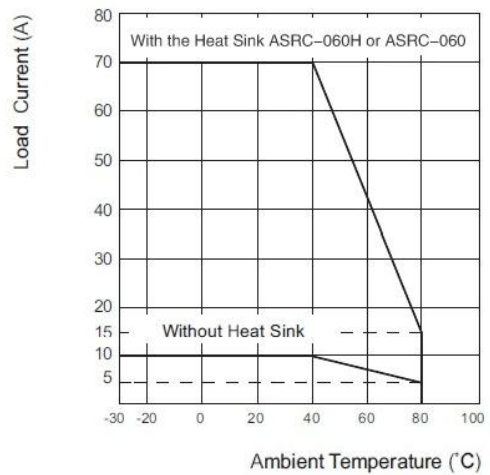
Max. Load Current vs. Ambient Temp. (50A)



Max. Load Current vs. Ambient Temp. (60A)

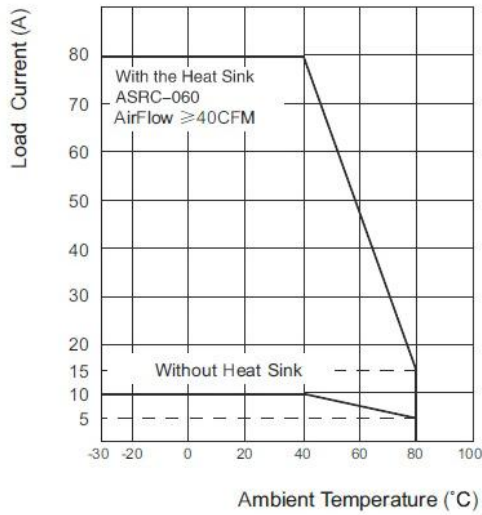


Max. Load Current vs. Ambient Temp. (70A)

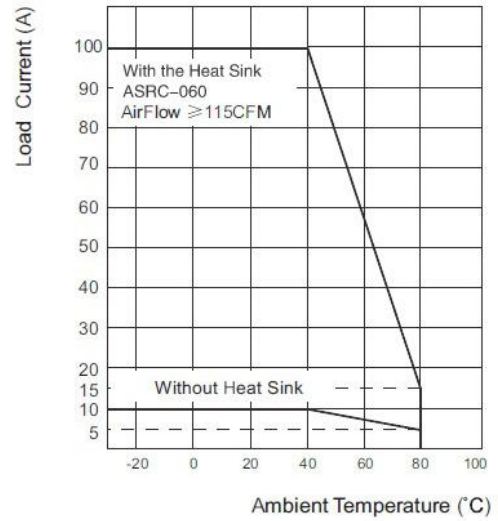


► CHARACTERISTIC CURVES

Max. Load Current vs. Ambient Temp. (80A)



Max. Load Current vs. Ambient Temp. (100A)



Max. Permissible Non-repetitive
Peak Surge Current rate vs. Continuance Time

