

80x80x25 mm

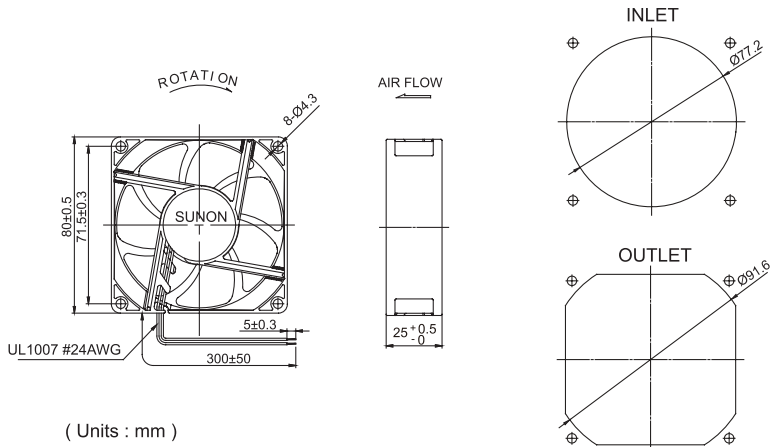
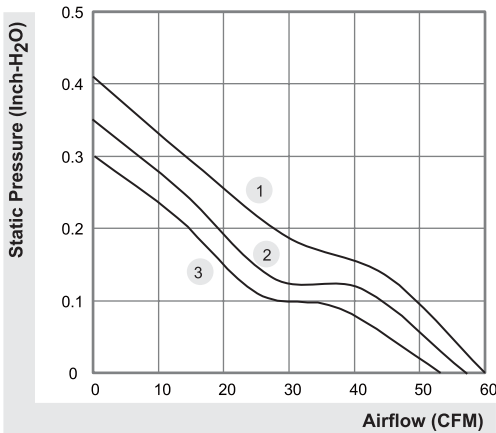
53~60 CFM



	Bearing	Rating Voltage	Power Current	Power Consumption	Speed	Air Flow	Static Pressure	Noise	Weight	Curve
	● VAPO	(VDC)	(mA)	(WATTS)	(RPM)	(CFM)	(Inch-H ₂ O)	(dBA)	(g)	
PF80251V1-0000-A99	●	12	341	4.1	4800	60	0.41	46.5	91	1
PF80251V2-0000-A99	●	12	285	3.4	4500	57	0.35	45.0	91	2
PF80251V3-0000-A99	●	12	223	2.7	4200	53	0.30	43.5	91	3

Model		(VDC)	(mA)	(WATTS)	(RPM)	(CFM)	(Inch-H ₂ O)	(dBA)	(g)	Curve
PF80251B1-0000-A99	⊕	12	341	4.1	4800	60	0.41	47.5	91	1
PF80251B2-0000-A99	⊕	12	285	3.4	4500	57	0.35	46.0	91	2
PF80251B3-0000-A99	⊕	12	223	2.7	4200	53	0.30	44.5	91	3

* PWM available.



*All model could be customized. Please contact with Sunon Sales.
 *Specifications are subject to change without notice. Please Visit SUNON web site at <http://www.sunon.com> for update information.