

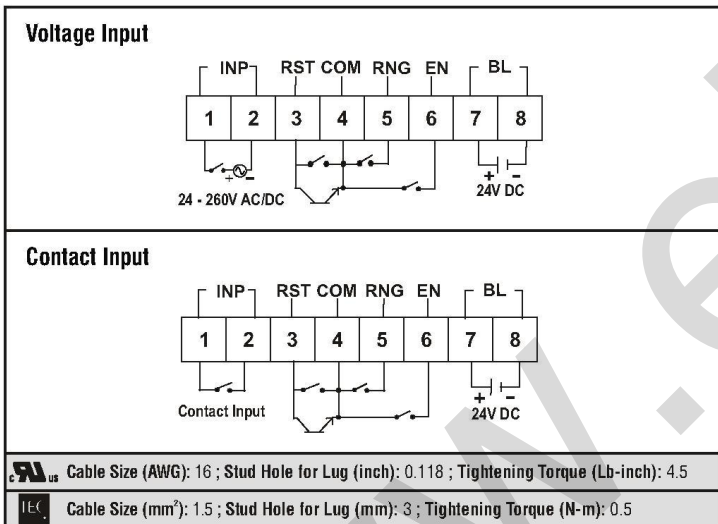


1/32 DIN
24mm x 48mm

ORDERING INFORMATION

Part No.	Input Type		Back Light
	Contact	Voltage	
LT920-C	■		
LT920-V		■	
LT930-C	■		■
LT930-V		■	■

TERMINAL CONNECTIONS



FEATURES

- 8 Digit LCD Time Totaliser
- Self Powered
- Long battery Life
- Contact / Voltage Input
- Back Light

TECHNICAL SPECIFICATIONS

INPUT SPECIFICATIONS

Input Type	a) 24 to 260V AC/DC b) Contact input
Accuracy	0.05%
Reset	Front, Remote

FUNCTIONAL SPECIFICATIONS

Range	a) 9999.59.59 hr:min:sec b) 999999.99 nr
Counting Direction	Up
Memory	max. 5 years

GENERAL SPECIFICATIONS

Supply Voltage	Battery powered
Auxiliary Supply (Back Light)	24V DC (external)
Temperature	Operating: 0to 50°C (32to 122°F) Storage: -20 to 75°C (-4 to 167°F)
HUmidity (non-condensing)	95% RH
Weight	30 g (0.066 lbs)
Protection Level	IP40 forfaceplate

DIMENSIONS

