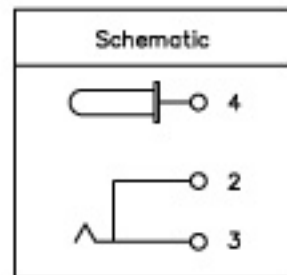
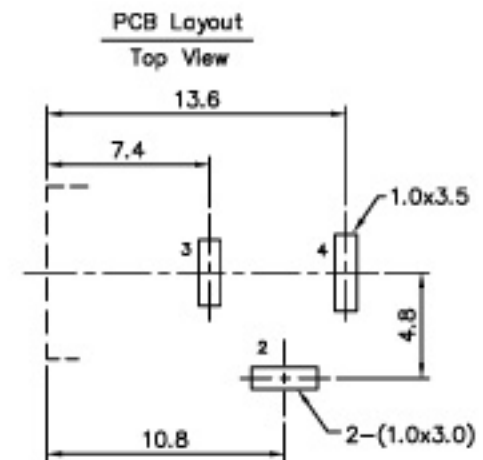
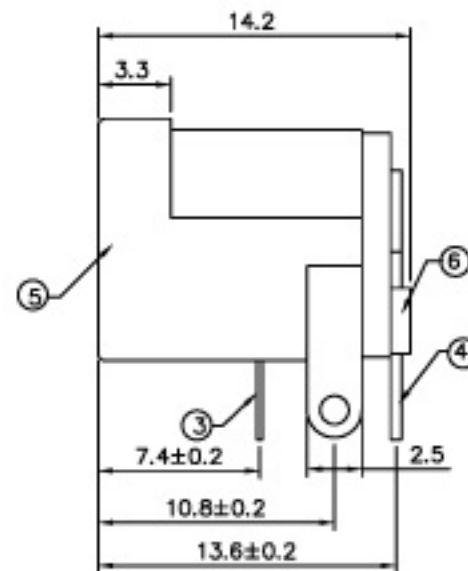
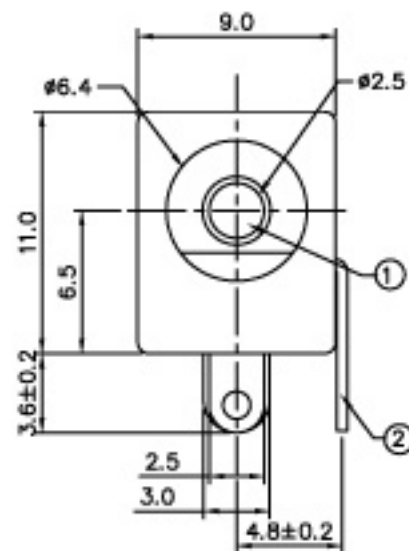


SPECIFICATIONS

Rating: DC 30V, 0.5A
 Contact Resistance: 30 Milliohms Max.
 Insulation Resistance: 100 Megohms Min. (DC 250V)
 Withstand Voltage: 500VAC
 Insertion And Extraction Force: 3-20N
 Life Test: 5,000 Cycles



No.	Description	Q'ty	Material	Plating
1	Pin	1	H59 Brass	Ni-Plating
2	Curve Piece	1	H62 Brass	Sn-Plating
3	Spring	1	Bronze	Sn-Plating
4	Flat Piece	1	H62 Brass	Sn-Plating
5	Housing	1	PBT	
6	Cover	1	PBT	