



Filament lamp, 230V, 4W

Part no. SL4-L230
Article no. 171385
Catalog No. SL4-L230

Delivery programme

Product range			SL4 signal towers
Basic function			Filament lamp
Basic function accessories			Filament bulbs
Mounting			Ba15d
lifespan		h	3000
Power			4 W
Rated operational voltage	U _e	V	230 V
For use with			SL4-L-...
Connection to SmartWire-DT			no

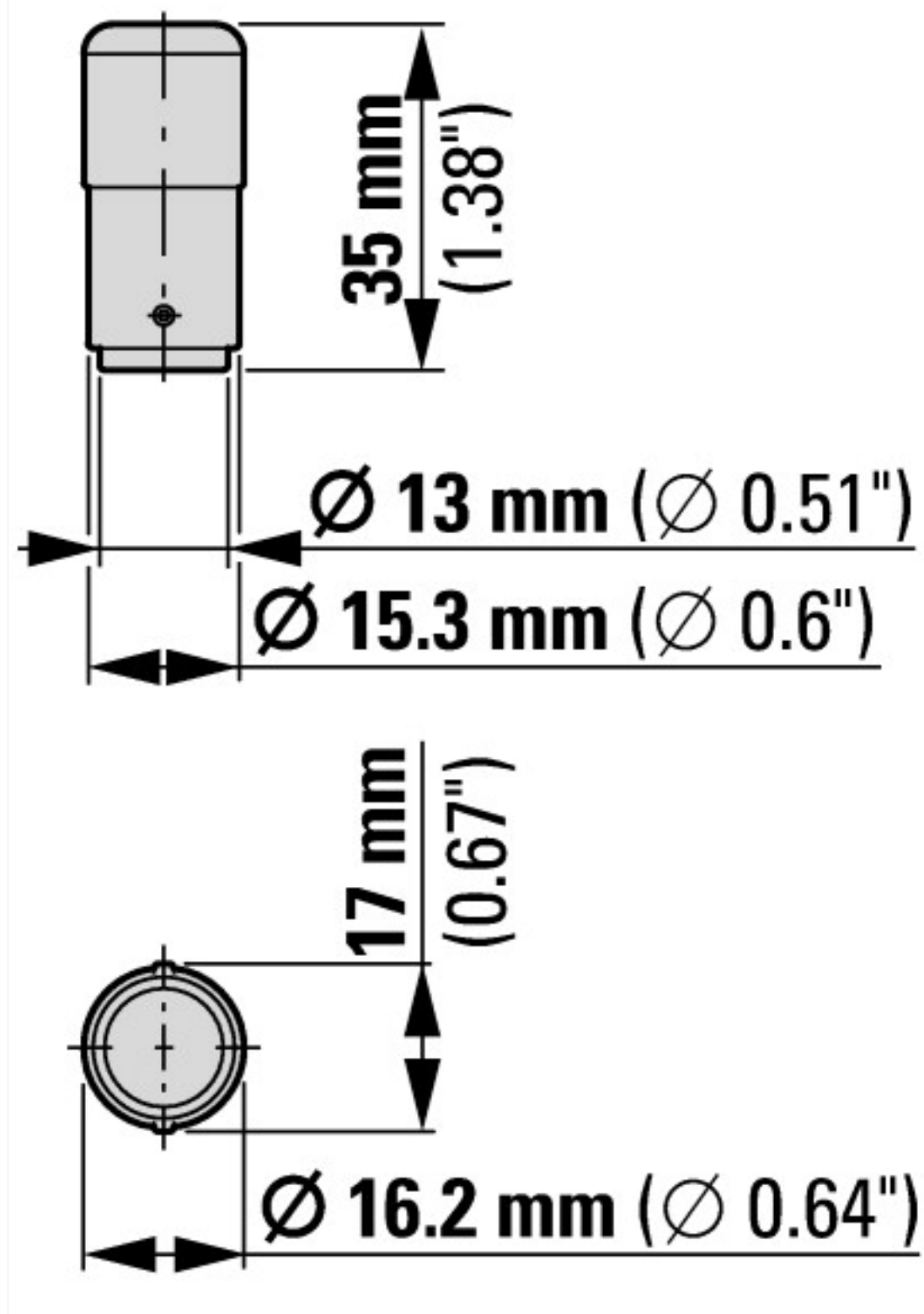
Design verification as per IEC/EN 61439

Technical data for design verification			
Operating ambient temperature min.		°C	-30
Operating ambient temperature max.		°C	60

Technical data ETIM 6.0

Lamps (EG000028) / Indication- and signalling lamp (EC000399)			
Electric engineering, automation, process control engineering / Lighting installation, device / Light medium / Indication- and signal lamp (ecl@ss8.1-27-11-06-31 [AKE242011])			
Lamp voltage		V	230 - 230
Luminous flux		lm	0
Socket			BA15d
Lamp type			Incandescent lamp
Lamp shape			-
Halogen			No
Krypton			No
Xenon			No
Colour			None
Colour temperature		K	2800
Diameter		mm	0
Total length		mm	0
Suitable for torches			No
Suitable for pointer			Yes
Nominal current		mA	0
Lamp power		W	4
Average nominal lifespan		h	3000

Dimensions



Additional product information (links)

IL047005ZU SL4/7 Incandescent Modules

IL047005ZU SL4/7 Incandescent Modules

ftp://ftp.moeller.net/DOCUMENTATION/AWA_INSTRUCTIONS/IL047005ZU2013_02.pdf

IL047005ZU SL4/7 modules de lampes à incandescence

ftp://ftp.moeller.net/DOCUMENTATION/AWA_INSTRUCTIONS/IL047005ZU2013_02.pdf