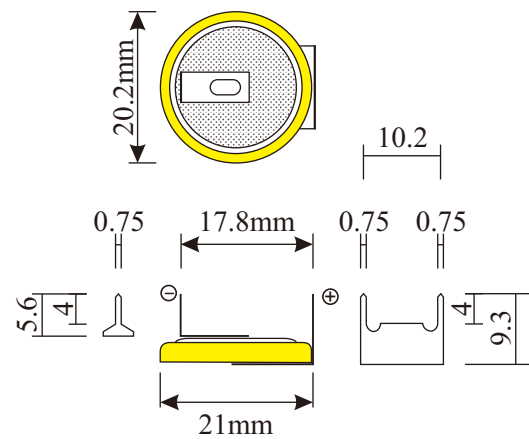
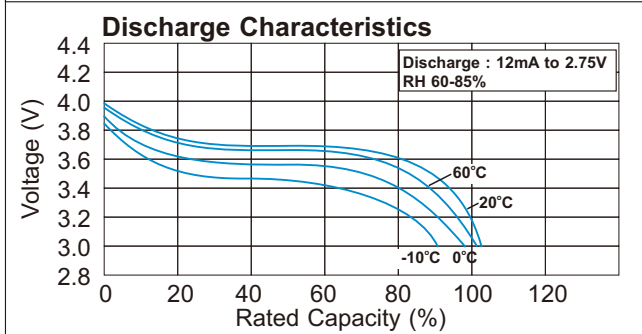
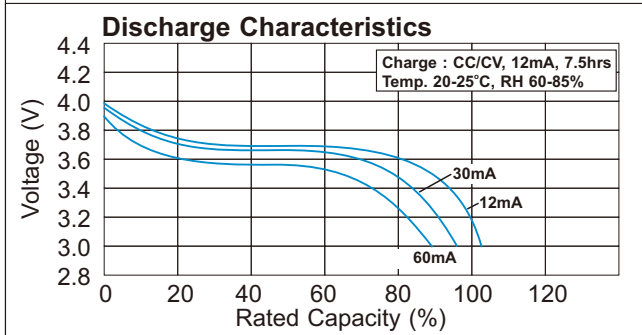
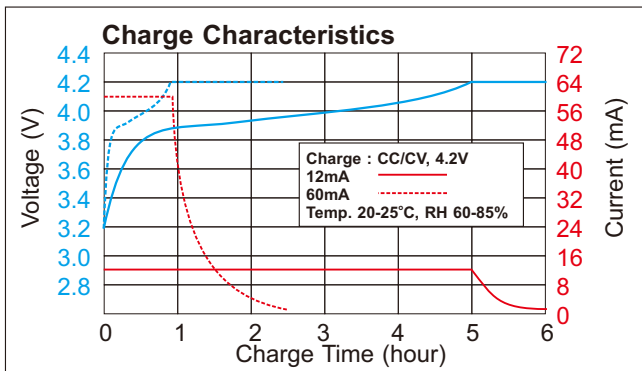


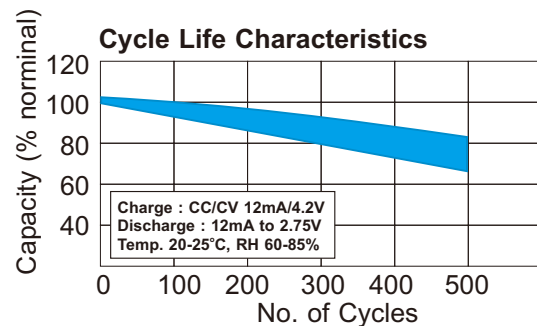
LITHIUM-ION RECHARGEABLE COIN CELL

SPECIFICATIONS

Model	:	LIR2032H-1GU
Description	:	Lithium-Ion Rechargeable Coin Cell
Nominal Capacity	:	60mAh (Min. 55) at 12mA discharge
Nominal Voltage	:	3.70 Volt
Cut-Off Voltage	:	2.75 Volt
Weight	:	3.0 gram
Life Duration	:	Over 500 cycles at 0.2C mA discharge
Charge	:	Standard - CC at 12mA to 4.2V, then CV at 4.2V to current < 3mA
	:	Fast - CC at 60mA to 4.2V, then CV at 4.2V to current < 3mA
Max. Discharge Current	:	60mA
Temperature Environment	:	Standard Charge 0 degC to 45 degC
	:	Discharge -20 degC to 60 degC
	:	Storage -10 degC to 35 degC
Internal Impedance	:	<650 mOhm (Full Charge, test at 1000Hz)
Appearance	:	No leakage, No remarkable scratch, flaws or discoloration.
	:	No explosion under standard operating condition
Battery Maintenance	:	Battery stored and not used under room temperature for over 6 months have to be recharged.



Tolerance +/-0.5mm
Yellow PVC Sleeve



Information is for reference only and is not construed as warranties either expressed or implied, of future performance. Performance varies with time, discharge and storage condition.. 1 year limited guarantee against manufacturing defects. Other problem caused by misuse, mishandling of cell, or malfunction of equipment, is not under the warranty.

Model : LIR2032H-1GU
Version : 3.1

WELL LINK
INDUSTRIAL LIMITED

E625RA6